

---

PLEASE RETAIN



# BILBERRY ECO STOVES

NORE



BARROW



SUIR



This appliance is hot while in operation and retains its heat for a long period of time after use. Children, aged or infirm persons should be supervised at all times and should not be allowed to touch the hot working surfaces while in use or until the appliance has thoroughly cooled.

*When using the stove in situations where children, aged and/or infirm persons are present a fireguard must be used to prevent accidental contact with the stove. The fireguard should be manufactured in accordance with BS 8423:2002.*

***Installation & Operating Instructions***

---

---

## TABLE OF CONTENTS

	PAGE NO.
1. Warranty Policy .....	3
2. Installation Checklist .....	4
3. Installation Instructions .....	5
4. Handling .....	5
Fire Cement,Asbestos, Metal Parts .....	5
5. Pre-Installation Checks .....	5
Installing Stove .....	5
Hearth-Floor Protection .....	5
6. Technical Data .....	6
7. Product Fiche .....	6
8. Stove Dimensions .....	7
9. Clearance to Combustibles .....	8
10. Ceiling Protection .....	8
11. Clearances to Furniture & Soft Furnishings .....	8
12. Chimney .....	8
13. Flues .....	9
14. Flue Pipes .....	9
15. Flue Exit (Top & Rear) .....	9
16. Connecting to a Steel Chimney .....	10
17. Fresh Air Supply .....	10
18. Draught Conditions .....	10
19. Ventilation & Combustion Air Requirements .....	10
Especially Air Tight Properties .....	11
20. Permanent Air Vent .....	11
External  Ducted Air .....	11
Extractor Fan .....	11
21. Commissioning & Handover .....	11
22. Operating Instructions- Suitable Fuels .....	11
23. Top baffle Removal .....	12
24. Lighting-Refuelling .....	12
25. Air regulation .....	13
26. Refuelling on to a low firebed .....	13
27. Disposal of ashes .....	14
28. CO Alarm .....	14
29. Maintenance .....	14
30. Periods of Non Use .....	14
31. Exploded Views .....	15-17
32. Troubleshooting .....	18
33. Energy labels .....	19-21

---

## WARRANTY POLICY

Your Bilberry Stove carries a guarantee against manufacturing defects for a period of one year from date of purchase. This guarantee shall not apply to any part that has been altered in any way, or which in our judgement has been subjected to misuse, neglect, accident, abuse and wear & tear. Variations in colour and texture are a natural characteristic of these products. Colour changes may result from exposure to light and other elements which are a part of the aging process. These material variations and changes are not covered by the warranty.

The Guarantee would not be extended to Items which would be subject to wear & tear such as firebox linings, firebox bricks, baffle, grate parts, fire fence, ash pan, operating tool, door glass, door rope and gasketing material.

**Claims are not valid where the installation does not conform to Manufacturers Recommendations and Appropriate Building Regulations.**

In the unlikely event of any failure of components covered by this guarantee, we will replace them free of charge to return the stove to its original specification. Labour costs excluded.

## INSTALLATION CHECK LIST

### *Flue System*

Tick



1. Minimum Flue Height of 4.6 metres.
2. Appliance should be connected to a minimum of 1.8 metres (6 feet) of 150mm (6") flue pipe with a horizontal run not exceeding 150mm (6").
3. Appliance should be connected to a chimney of less than 200mm (8") in diameter (otherwise the chimney must be lined with a 150mm (6") flue liner).
4. The chimney venting position must be above the main ridge of the roof or adjacent outside obstructions.
5. The chimney serving this appliance should not serve any other appliance.
6. Access should be provided to the chimney serving the appliance to allow for cleaning.

### *Location*

7. Clearance to combustible materials must be adhered to as described in the Clearance to Combustible section.
8. The stove must be installed on a floor protector that covers the area under the stove and extends 16" to the front & 8" to the sides and back.

### *Ventilation & Combustion Air Requirements*

9. The room in which the appliance is located should have an air vent of adequate size to support correct combustion (see Building Regulations Part J, Heat producing appliances for specific details).

## INSTALLATION INSTRUCTIONS

**NOTE:** Please note that it is a legal requirement under England & Wales Building Regulations that the installation of the stove is either carried out under Local Authority Building Control approval or is installed by a Competent Person registered with a Government approved Competent Persons Scheme. HETAS Ltd operate such a Scheme and a listing of their Registered Competent Persons can be found on their website at [www.hetas.co.uk](http://www.hetas.co.uk).

### Handling

Adequate facilities must be available for loading, unloading and site handling.

Persons carrying out the installation must use the necessary personal protective equipment.

Special care must be taken when installing the stove such that the requirements of the Health & Safety at Work Act are met.

### Fire Cement

Some types of fire cement are caustic and should not be allowed to come into contact with the skin. In case of contact with the skin wash immediately with plenty of water.

### Asbestos

This stove contains no asbestos. If there is a possibility of disturbing any asbestos in the course of installation then please seek guidance and use appropriate protective equipment.

### Metal Parts

When installing or servicing this stove care should be taken to avoid the possibility of personal injury.

**IMPORTANT WARNING: This stove must not be installed into a chimney that serves any other heating appliance.**

### PRE-INSTALLATION CHECKS

Installation of a stove must be done according to local codes and regulations. National and European standards must be observed when installing this product.

Refer to BS 8303, Code of Practice for installation of domestic heating and cooking appliances.

Please read the Installation & Operation manual enclosed with this product before use.

We recommend that two people perform the installation procedure.

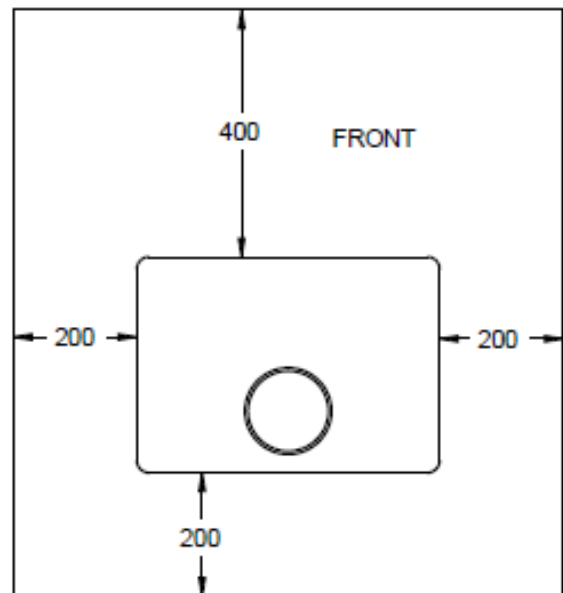
### Installing The Stove

The stove and chimney installations **MUST** comply with current National & Local Building Regulations; your approved dealer or your local building officer can advise regarding this. Ultimately, it is you and your installer who are responsible that the installation complies.

### Hearth-Floor Protection

This stove is recommended for use on a non combustible hearth. If installing this stove on a combustible floor, floor protection must be provided, consisting of a layer of noncombustible insulation material 10mm thick. This insulation can then be covered with 3mm sheet metal. This insulation material should extend past the sides and front of the stove, 400mm to front and 200mm to the sides. This stove is recommended for use on a non combustible hearth which extends beyond the stove dimensions as per Fig.1 below.

Fig.1



## TECHNICAL DATA

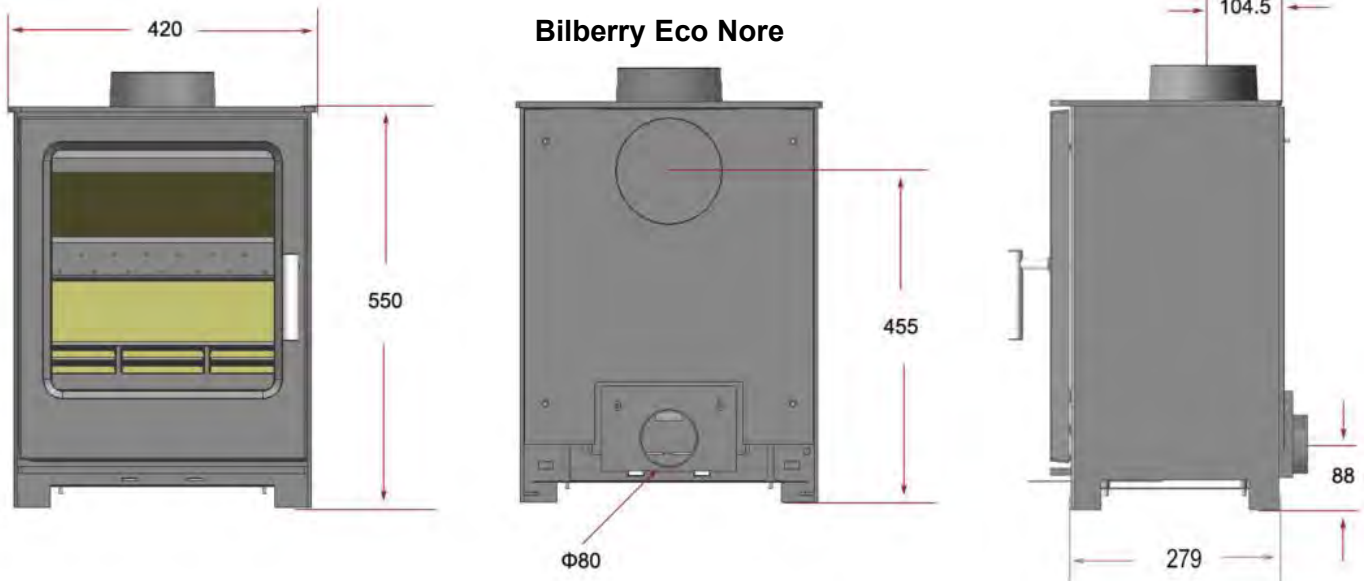
	Nore		Barrow (Log Store)		suir	
<b>Fuel:</b>	<b>MSF</b>	<b>Wood</b>	<b>MSF</b>	<b>Wood</b>	<b>MSF</b>	<b>Wood</b>
<b>Nominal Heat Output: (kW)</b>	5.0	5.0	5.0	5.0	8.0	8.1
<b>Efficiency at Nominal Heat Output: (%)</b>	78.8	82.5	78.8	82.5	75.9	79.4
<b>Mean Flue Gas Temperature: (°C)</b>	305	272	305	272	325	324
<b>Flue Gas Mas Flow: (g/s)</b>	3.4	3.4	3.4	3.4	6.6	5.8
<b>Mean CO emission (at 13% O2), %</b>	0.06	0.07	0.06	0.07	0.06	0.06
<b>Mean NOx emission (at 13% O2), mg/Nm3</b>	123	112	123	112	108	101
<b>Particulates emission (at 13% O2), mg/Nm3</b>	13	7	13	7	13	25
<b>Log Length - Max.: (cm)</b>	32		35		41	
<b>Flue Outlet:</b>	Top & Rear		Top & Rear		Top & Rear	
<b>Flue Pipe Dimension- (mm)</b>	125		125		125	
<b>Weight [Approx.]: (kg)</b>	70		80		80	
<b>Recommended Chimney Draught: (PA)</b>	12		12.		12.	
<b>Operational Mode:</b>	* Intermittent		* Intermittent		* Intermittent	

\* **Note:** Intermittent combustion in this context means normal use of the stove, i.e. fuel is added as soon as the fuel has burned down.

Product Fiche as required by regulation (EU) 2015/ 1186							
	Energy Efficiency Class	Heat Output to Room	Heat Output to Water	Energy Efficiency index	Preferred Fuel	Nominal Heat Output.	Net Efficiency.
Bilberry Eco Nore	A+	5	NA	109.63	Wood	5	82.5
Bilberry Eco Barrow	A+	5	NA	109.63	Wood	5	82.5
Bilberry Eco Suir	A	8.1	NA	105.13	Wood	8.1	79.4

## STOVE DIMENSIONS

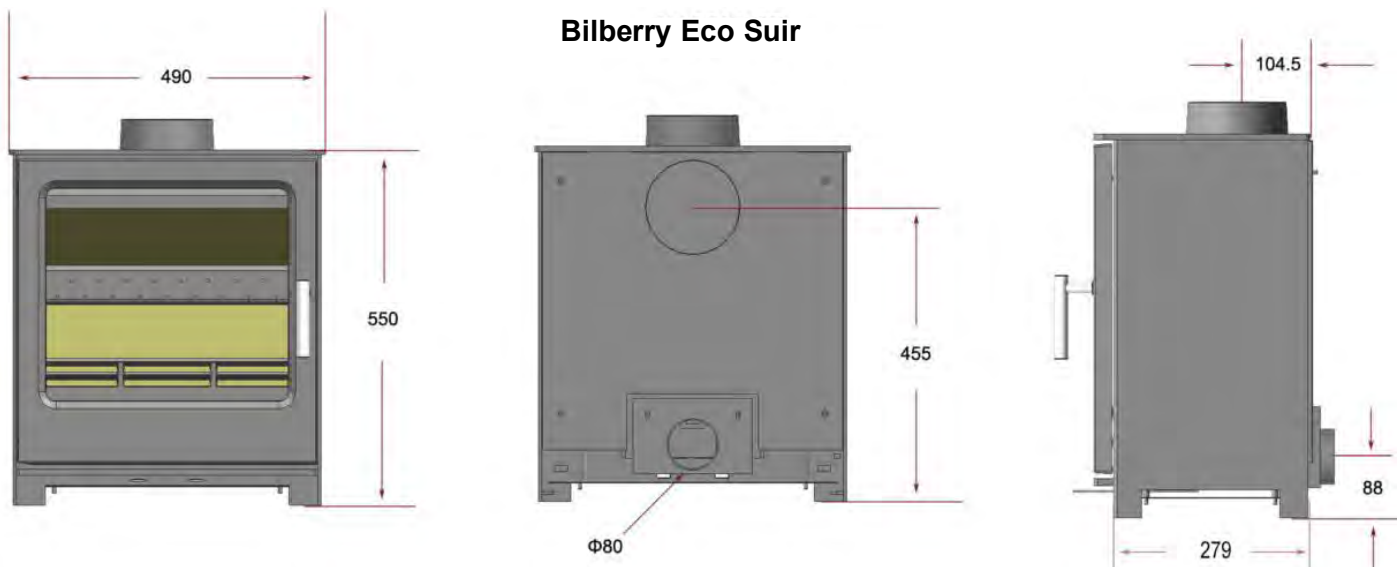
### Bilberry Eco Nore



### Bilberry Eco Barrow



### Bilberry Eco Suir



**Note:** Dimensions stated are in millimetres unless otherwise stated and may be subject to a slight +/- variation.

## CLEARANCES TO COMBUSTIBLES

Clearances to combustible materials must be adhered to when installing the stove. See Table below for required clearances

Clearances to Combustibles				
	Sides	Rear	Front	Top/ Mantle
Bilberry Eco Nore	550	600	1500	600
Bilberry Eco Barrow	550	600	1500	600
Bilberry Eco Suir	600	650	1500	600

It is only permitted to store wood logs in the log store in the Bilberry Barrow model. Paper, combustible liquids, gas cylinders or aerosols should not be stored in the log store. Logs should not protrude out of the log store to prevent embers dropping onto the wood logs should embers fall from the fire door.

### CEILING PROTECTION

There must be a minimum distance of 1200mm to a combustible ceiling above the fireplace.

### *Clearances to Furniture & Soft Furnishings*

We recommend the stove be installed 1000mm from combustible material. Serious consideration should also be given to positioning of any furniture that could be adversely affected by heat. The clearances to combustible materials in front of the stove should be a minimum of 1000mm. When lighting, a solid fuel stove will get very hot and therefore adequate protection must be provided, particularly in situations where there is a safety risk to children or the infirm. A suitable safety guard around the stove should be considered.

### CHIMNEY

The stove is a radiant room heater and must be connected to a chimney of the proper size and type. The chimney must have a diameter of at least 6" (150mm). Where the spigot is 5" (125mm), we recommend using up to 1 meter of diameter 125mm, then using an increaser to increase the diameter up to 150mm. It is best to connect to a chimney of the same size, as connection to a larger size may result in a somewhat less draught.

Do not connect to a chimney serving another appliance. Minimum chimney height 15' (4.5 meters) from floor on which stove is installed. An existing masonry chimney should be inspected and if necessary repaired by a competent mason. The stove must be connected to a chimney with a minimum continuous draft of .06" wg (15 Pascals). Poor draft conditions will result in poor performance.

Chimneys for use with solid fuel appliances should be capable of withstanding a temperature of 1100°C without any structural change which would impair the stability or performance of the chimney.

If the stove is fitted in place of an open fire then the chimney should be swept again, one month after installation, to clear any soot falls which may have occurred due to the difference in combustion between the stove and the open fire.

BS EN 15287-1:2007, Design Installation and Commissioning of Chimneys; Part 1: Chimneys for non-roomsealed heating appliances should be used.



## FLUES

Flues should be vertical wherever possible and where a bend is necessary, it should not make an angle of more than 45° with the vertical. Horizontal flue runs should be avoided except in the case of a back outlet from the appliance, when the length of the horizontal section should not exceed 150mm.

In order to minimise flue resistance and to make sweeping easier it is recommended to use 2 x 45° bends rather than a 90° bend.

The flue termination point must be located to minimise any wind effects. Wind effects of suction, pressure zones and turbulence can be created by the roof and adjacent objects. Wind effects can also be created by natural land contours.

To minimise the wind effects, the flue termination point should be located a minimum of 1000mm from the roof measured vertically and 2300mm measured horizontally. Where this termination point does not suffice it may be necessary to extend the flue pipe so that the termination point is above the apex. See Fig.4.

### FLUE PIPES

A flue pipe should only be used to connect an appliance to a chimney and should not pass through any roof space.

Flue pipes may be of any of the following materials:

- (a) Cast iron as described in BS 41: 1973 (1981), or
- (b) Stainless steel with a wall thickness of at least 1mm and as described in BS EN 10095:1999 Specification for stainless and heat resisting steel plate, sheet and strip, for Grade 316 S11, 316 S13, 316 S16, 316 S31, 316 S33, or the equivalent Euronorm 88-71 designation, or
- (c) Vitreous enamelled steel complying with BS 6999: 1989.

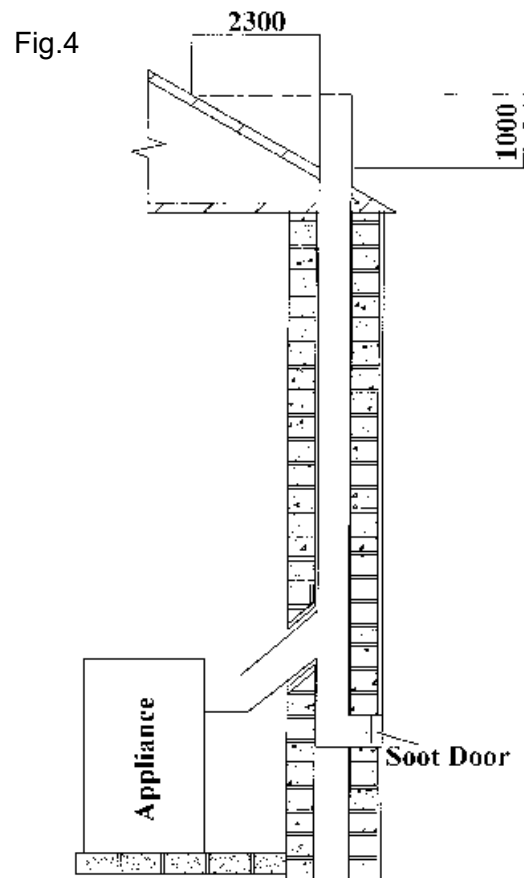
Flue pipes with spigot and socket joints should be fitted with the socket uppermost and all joints should be sealed with fire cement.

Clearance to combustibles must be adhered to when fitting the flue pipe.

The flue outlet spigot for this appliance is inside the burn chamber during transportation. You can choose between top or rear outlet from the flue pipe. (Fastening screws are included with the stove).

Flue pipes are placed directly onto the product flue outlet, there are 3 screw holes to secure the flue pipe in place. See Fig.5.

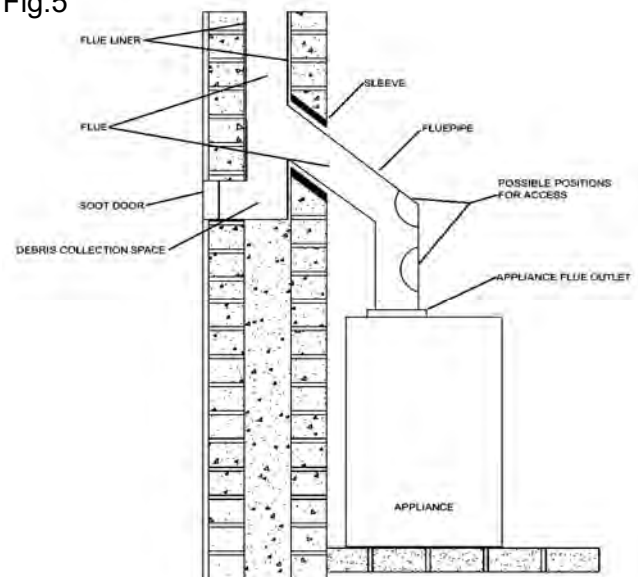
**Note:** It is important that the joints are completely sealed using a suitable fire cement. Air leakage etc may lead to malfunction.



**FLUE EXIT (TOP & REAR)**

The stove is designed to allow the chimney be cleaned through the stove. Where necessary a means must be provided to clean the chimney such as a soot box/access door in the flue for cleaning. See Fig.5 for recommended locations.

Fig.5



When the stove is to be fitted on top outlet remove the blanking plate as shown in fig 6 and fit it to the rear outlet replace with the spigot as shown in Fig 6a.

Fig 5

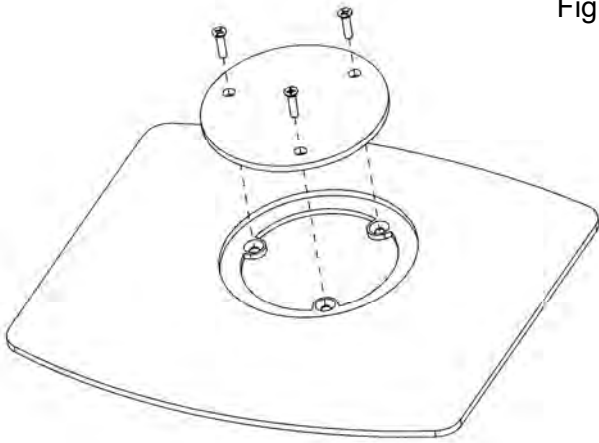
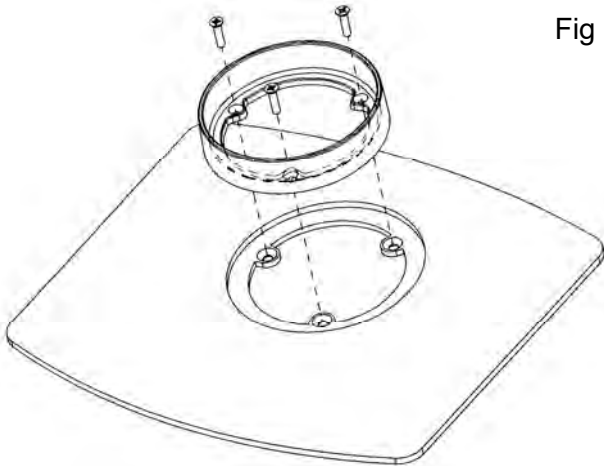


Fig 5A



### CONNECTING TO A STEEL CHIMNEY

If your installation involves taking the chimney straight up and through the ceiling, you must comply with National, Local and Building Regulations or flue manufacturers instructions concerning clearances to combustible materials such as walls, floor joists and ceilings. The joint between the stove flue collar and the stove pipe must also be sealed using the fire cement. It is important that the insulated flue system is properly supported both at ceiling level and at roof level.

**THE STOVE MUST NOT BEAR THE WEIGHT OF THE CHIMNEY SYSTEM** (see chimney manufacturer's instructions).

Excessive weight on the stove will inhibit expansion and could lead to damage of the stove top. Damage caused to the stove in this way would not be covered by the Manufacturers Warranty.

**IN THE EVENT THAT A CHIMNEY FIRE OCCURS RESULTING FROM FAULTY OPERATION OR PROLONGED USE OF DAMP WOOD FUEL, CLOSE THE AIR VENTS COMPLETELY AND CONTACT YOUR LOCAL FIRE DEPARTMENT IMMEDIATELY.**

### CAUTION

The chimney should be swept at least twice by a competent and approved person. All chimney joints should be inspected during cleaning.

### FRESH AIR SUPPLY

A solid fuel appliance requires a continuous supply of air to support combustion. If another air using appliance such as extractor hood or clothes dryer is installed in the same or an adjacent room, the ventilation supply will need to be increased to ensure there is adequate air for ventilation and combustion when all appliances are in operation.

In houses equipped with mechanical ventilation an external air connection must be installed to provide adequate air for combustion.

Properly installed solid fuel unit will give even the most efficient houses a pleasant and natural ventilation.

### DRAUGHT CONDITIONS

If smoke spillage occurs when the fire door is opened, it is probably due to poor chimney draught. This type of stove requires at least 15 Pa. of chimney draught to achieve satisfactory combustion and smoke spillage prevention. However, in cases where the stove door is opened too quickly you could expect that slight smoke spillage may occur. Only open the door when the stoves has extinguished or the fire is a bed of glowing embers,

If you have any doubts, you may want to have your installer measure the draught in the chimney.

The chimney's draught is the resulting effect within the flue caused by the difference in temperature within the flue and the cooler temperature outside. Other factors that can influence the level of draught include the length of the flue, insulation of the chimney, adverse weather conditions, tall buildings or trees nearby the flue terminal.

### VENTILATION AND COMBUSTION AIR REQUIREMENTS

It is essential that there is an adequately sized air vent in the room in which the product is installed. When calculating combustion air requirements for this appliance use the following: 550mm<sup>2</sup> per each kW of rated output should be provided, where a flue draught stabiliser is used the total free area shall be increased by 300mm<sup>2</sup> for each kW of rated output. If there is another appliance using air fitted in the

### ***Especially Airtight Properties:-***

If the stove is being fitted in a property where the design air permeability is less than  $5\text{m}^3 / (\text{h.m}^2)$  (normally newer properties built from 2006), then a permanent ventilation must be fitted to provide  $550\text{mm}^2$  of ventilation for each kW of rated output. If a draught stabiliser is also fitted then the requirement is  $850\text{mm}^2$  per kW of rated output.

#### **PERMANENT AIR VENT**

The stove requires an adequate air supply in order for it to operate safely and efficiently. The installer may have fitted a permanent air supply vent into the room in which the stove is installed to provide combustion and/or ventilation air. This air vent should not under any circumstances be shut off or sealed..

#### **EXTERNAL DUCTED AIR**

An outside air kit can be ducted from outside and is available to order for connection to the stove.

It is recommended to bring the air supply for the stove into the house using a 4" plastic pipe. Where the pipe meets the outside wall make sure a vent cover is fitted properly to ensure no rodents can enter via the vent pipe.

The vent pipe should be located to prevent the ingress of moisture and in a location where it will not get blocked with leaves or any other debris. As wind effects can create suction and pressure zones on opposite sides of the dwelling it is recommended to run the air vent from opposite poles (North, South, East & West) of the dwelling and tee off for the air supply to the stove. This should negate the effect of suction and pressure zones.

#### **Extractor Fan**

There must not be an extractor fan fitted in the same room as the stove as this can cause the stove to emit smoke and fumes into the room.

#### **COMMISSIONING & HANDOVER**

On completion of the installation allow a suitable period of time for any fire cement and mortar to dry out, when a small fire may be lit and checked to ensure the smoke and fumes are taken from the stove up the chimney and emitted safely to the atmosphere. **Do not run at full output for at least 24 hours.**

On completion of the installation and commissioning ensure that the operating instructions for the stove are left with the customer. Ensure to advise the customer on the correct use of the appliance with the fuels likely to be used on the stove and warn them to use only the recommended fuels for the stove.

#### **WARNING NOTE:-**

Properly installed, operated and maintained this stove will not emit fumes into the dwelling. Occasional fumes from de ashing and re fuelling may occur. However, persistent fume emission is potentially dangerous and must not be tolerated. If fume emission does persist, then the following immediate action should be taken:

- (a) Open doors and windows to ventilate the room and then leave the premises.
- (b) Let the fire go out.
- (c) Check for flue or chimney blockage and clean if required
- (d) Do not attempt to relight the fire until the cause of the fume emission has been identified and corrected. If necessary seek expert advice.

The most common cause of fume emission is flue-way or chimney blockage. For your own safety these must be kept clean at all times.

The customer should be warned to use a fire guard to BS 8423:2002 in the presence of children, aged and/or infirm persons.

#### **OPERATING INSTRUCTIONS SUITABLE FUELS**

COAL, ANTHRACITE, PEAT, WOOD SYNTHETIC LOGS, OR OTHER FUELS. "Never use gasoline" gasoline type lantern fuel, kerosene, charcoal lighter fluid or similar liquids to start or 'freshen up' a fire in this heater. Keep all such liquid well away from the heater while in use. Operate stove only with fuelling door and ashpit doors closed. This heater is hot whilst in operation. Keep children, clothing and furniture a safe distance away.

The stove output levels are assessed on manufactured smokeless fuel and seasoned wood logs. Reduced outputs will result when fuels of lower calorific values are used. Wood logs up to 350mm (4") long are suitable.

All fuels should be stored under cover and kept as dry as possible prior to use.

#### **NEVER BURN HOUSEHOLD RUBBISH OR ANY FORM OF PETROLEUM BASED COKE IN THIS STOVE.**

#### **First USE**

##### ***Odours on First Lighting of The Stove:***

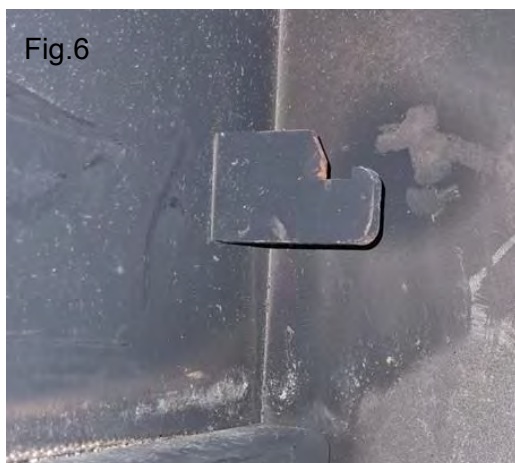
Painted stoves may emit an unpleasant odour when used for the first time. The room must be thoroughly ventilated. (ie. it is recommended to open all windows in the room in which the appliance is fitted). Let the fire burn with a high draught until all traces of the odour have dissipated and no smoke or smells can be detected.

## WARNING

### ENSURE TOP BAFFLE IS CORRECTLY IN PLACE BEFORE LIGHTING THE STOVE.

The top baffle rests on the baffle tap as down in Fig 6

To fix the baffle in place, raise the rear edge over the baffle tab and push the baffle to the rear of the stove, this will allow the front edge be lifted and then the baffle can be slid forward and the rear edge dropped into the tabs as shown in fig 6a



### TOP BAFFLE REMOVAL

To remove the top baffle, slide it forward and lift the rear edge and slide it backward so that the rear edge is clear of the retaining tab then drop the front edge into the stove.

### Lighting:

- \* Slide both air controls to open.
- \* Lay firelighters or rolled up newspapers on the grate with a reasonable quantity, if necessary, of dry kindling, place 2 or 3 small logs on top. Small logs can be placed adjacent also that will fall in as the other logs burn.
- \* Light the newspaper or firelighters using a long taper and close the door.
- \* The fire should be allowed to establish and flames reduced again before opening the door to add additional fuel.
- \* When the additional fuel has ignited the air controls should be adjusted based on the fuel as per the table below.

### Refuelling:

- \* Refuel only onto a bed of glowing embers, opening the door when there are flames may lead to some spillage.
- \* Open the primary air control fully.
- \* Open the door slowly to avoid a sudden rush of air intake, causing smoke to escape into the room and then refuel.
- \* Leave the primary air control open for a few minutes to allow the flame to establish.
- \* Adjust the air controls to the desired position.

**IMPORTANT:** Wood contains a large amount of volatiles which need to be ignited quickly to prevent blow-back. If the wood just lies smouldering, especially after re-stoking, a lot of smoke is created, which in the worst case may cause an explosive ignition of the gases resulting in damage to the stove.

In order to ignite the gases that are released from the wood, and to keep clear lasting flames during the combustion process, it is important to let in the required quantity of oxygen (air supply) at all times. The setting of the air supply, the method of ignition and the lighting intervals depend on the draught in the chimney, the wind and weather, and amount of heat required, fuel etc.. This means that it may take some time before you get to know the correct functioning of the stove under any given circumstances.

**NOTE:** If the stove is lit using wet wood, a lot of the fuel's thermal energy will be spent evaporating/ boiling the water from the wood, without releasing any heat to the stove. This incomplete combustion results in a layer of soot being left in the stove, pipe and chimney.

## AIR REGULATION

### AIR CONTROLS

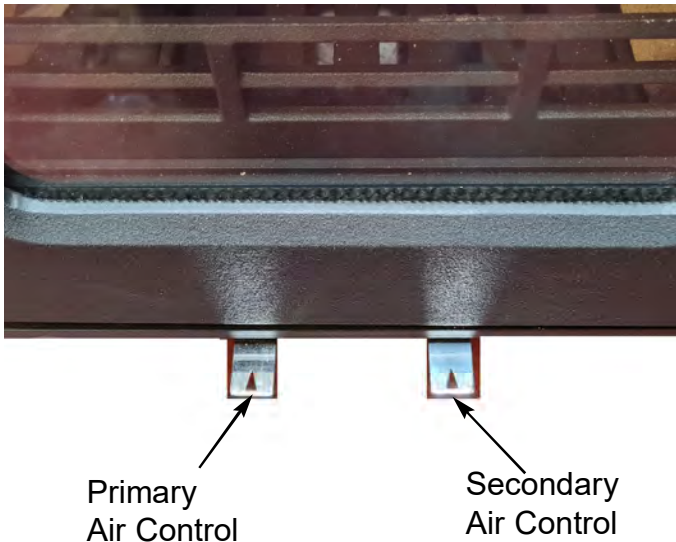
Fuel	Ignition		Controlled Burn	
	Primary	Secondary	Primary	Secondary
Mineral smokeless fuel (Maxibrite)	Fully Open	Fully Open	0-80% Open	Fully Closed
Wood	Fully Open	Fully Open	0-10% Open	0-80% Open

### RE-FUELLING ON TO A LOW FIREBED

If there is insufficient burning material in the firebed to light a new fuel charge, excessive smoke can occur. Refueling must be carried out on to a sufficient quantity of glowing embers that will allow the new fuel charge ignite in a reasonable period. If there are too few glowing embers in the fire bed add suitable kindling to prevent excessive smoke. Riddle the fire using a poker until all dead ash has fallen through into the ashpan. Add fuel to fire, close fire door and re-set air controls to required setting after flame has established.

#### SAFETY NOTES

1. **Clean the flue-ways of the stove every week and ensure that there are no block ages. Please refer to manual for instructions.**
2. **Never allow a build up of ashes in the ashpan, as this will cause the grate to burn out prematurely.**
3. **Do not burn rubbish/household plastic.**
4. **Do not leave ash-door open during operation as this will over heat the unit causing unnecessary damage.**
5. **Clean the chimney at least twice a year.**
6. **Keep all combustible materials a safe distance away from unit, please consult section on clearance to combustibles.**
7. **For safety reasons never leave children unaccompanied while stove is in use.**
8. **Avoid contact with unit when in use as stove reaches very high operating temperatures.**
9. **Do not use an aerosol spray on or near the stove when it is alight.**



### AIR CONTROL

The amount of heat produced by the stove is regulated using two air controls. Both air controls can be push in to close and pulled out to open. The primary air supply, where air passes up through the grate, is controlled using the left hand air control and the secondary air (airwash system) is supplied over the glass and is controlled using the right hand air control. The pre-heated air supply to the combustion just above the fire, it also controlled using the secondary air control.

The use of the controls will vary if you are burning wood which is the preferred fuel of manufactured smokeless coal, the recommended use of the air control is outlined in the table above.

#### Note.

**Leaving controls fully open for prolonged periods will overfire your stove and likely damage your stove. Once the fire is established the air supply to the stove must be reduced using the controls and adjusted for use with the fuel being burned.**

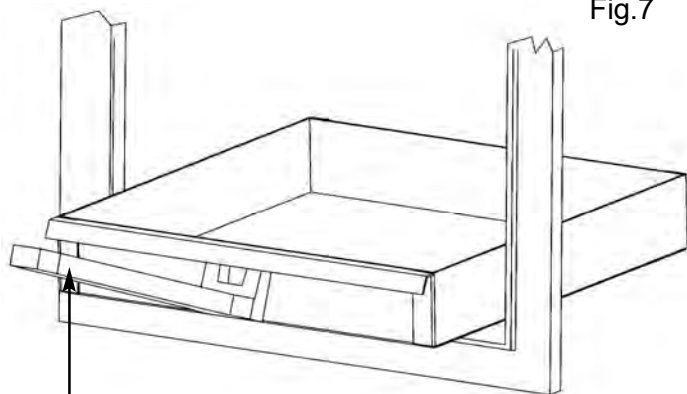
## DISPOSAL OF ASHES

It is essential to keep the grate free from a heavy build up of ashes. This product is equipped with a grate riddling tool which is used to shake ashes off the grate into the ashpan. Whenever the stove is burning low, and the spin valve is open, use the riddling lever to clear the grate of surplus ashes.

If burning solid fuel, always empty the ashpan at least once a day or whenever it is full of ashes. Never allow the ashpan to over-fill allowing ash to be in contact with the underside of the grate. If this condition is allowed, the grate will burn out prematurely. See Fig.7.

### **DO NOT TRANSPORT HOT ASHES FROM THE STOVE USING THE ASHPAN OR THE OPERATING TOOL.**

Fig.7



Operating Tool

## CO ALARM

We recommend the fitting of a CO Alarm in the same room as the appliance, this is a requirement under UK Building Regulations. Further guidance on the installation of a carbon monoxide alarm is available in BS EN 50292:2002 and from the alarm manufacturers instructions.

**Provision of an alarm must not be considered a substitute for either installing the appliance correctly or ensuring regular servicing and maintenance of the appliance and chimney system.**

### **WARNING:-**

If the CO Alarm sounds unexpectedly:-

1. Open Doors and windows to ventilate the room and then leave the premises.
2. Let the fire go out.

## MAINTENANCE

### ***Cleaning The Glass:***

This product is equipped with an air wash for the glass. Air is sucked in through the air vent above the door and down along the inside of the glass.

However, some soot will always stick to the glass, but the quantity will depend on the draught conditions and adjustment of the air wash vent.

Most of the soot layer will normally be burned off when the air wash vent is opened all the way and a fire is burning briskly in the fireplace.

**Note** - To clean glass, use an approved suitable stove glass cleaner in accordance with the manufacturers instructions.

### ***External Surface Cleaning:***

The cast surface of the stove is painted with heat-resistant paint. It is best maintained by simply vacuuming it with a soft brush attachment or wiping it down with a dry, dust-free cloth.

Over time, the painted surface of the stove can turn a greyish colour, however it can easily be freshened up with a spray paint which is available from your local retailer.

### ***Gaskets:***

The gaskets in the door will wear out over time, and should be replaced as required in order to prevent overfiring.

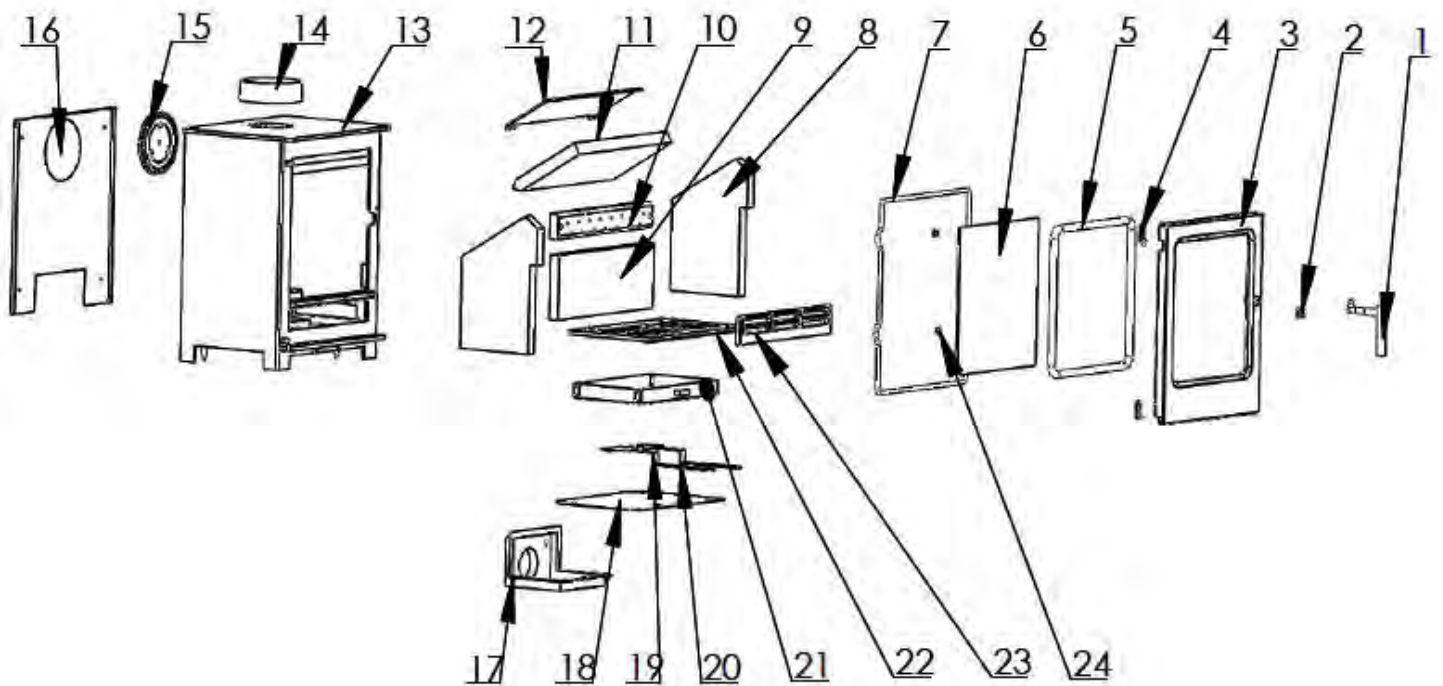
## PERIODS OF NON USE

For periods of non use of the stove, ensure all ashes have been cleaned from the ash compartment and that the air control is open, to avoid condensation in the stove firebox and possible corrosion during this shutdown period.

### **WARNING:-**

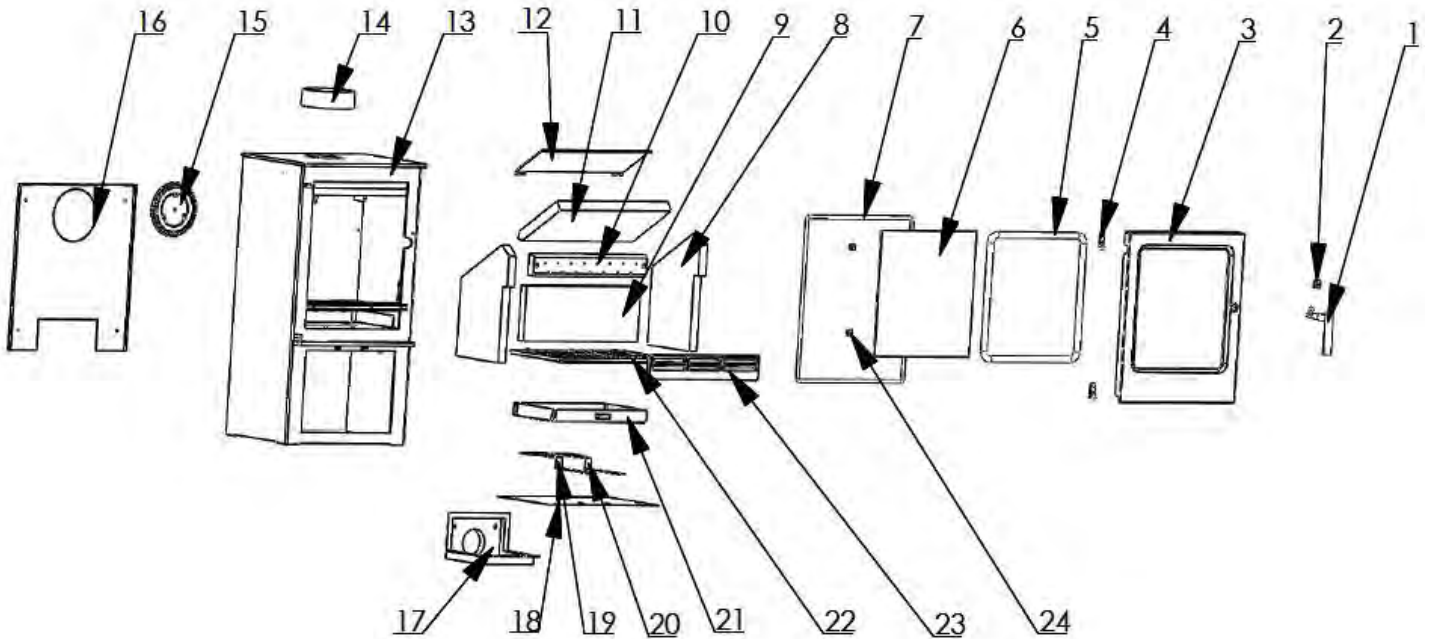
**Parts become very hot while the stove is in use so should not be touched with bare hands. Special operating tool/glove is provided for operation of the hot stove.**

## NORE EXPLODED VIEW



Part no.	Item Code	Description
1	UBE01010	Handle
2		Handle stop
3	BBE01034	Door
4	UBE01013	Hinge
5	JBE01035	Glass seal rope
6	TBE01036	Glass
7	JBE01037	Door seal rope
8	HBE01038	Side vermiculite board
9	HBE01039	rear vermiculite board
10	FBE01040	Rear air box
11	HBE01041	Baffle B
12	FBE01042	Baffle A
13	FBE01043	body
14	BBE01023	Spigot
15	BBE01024	Blanking plate
16	FBE01044	Rear heat shield
17	FBE01026	External air box
18	FBE01045	Bottom heat shield
19	FBE01046	Primary air control
20	FBE01047	Secondary air control
21	FBE01048	Ashpan
22	QBE01049	Grate
23	BBE01050	Front log retainer
24	FBE01033	Glass clips

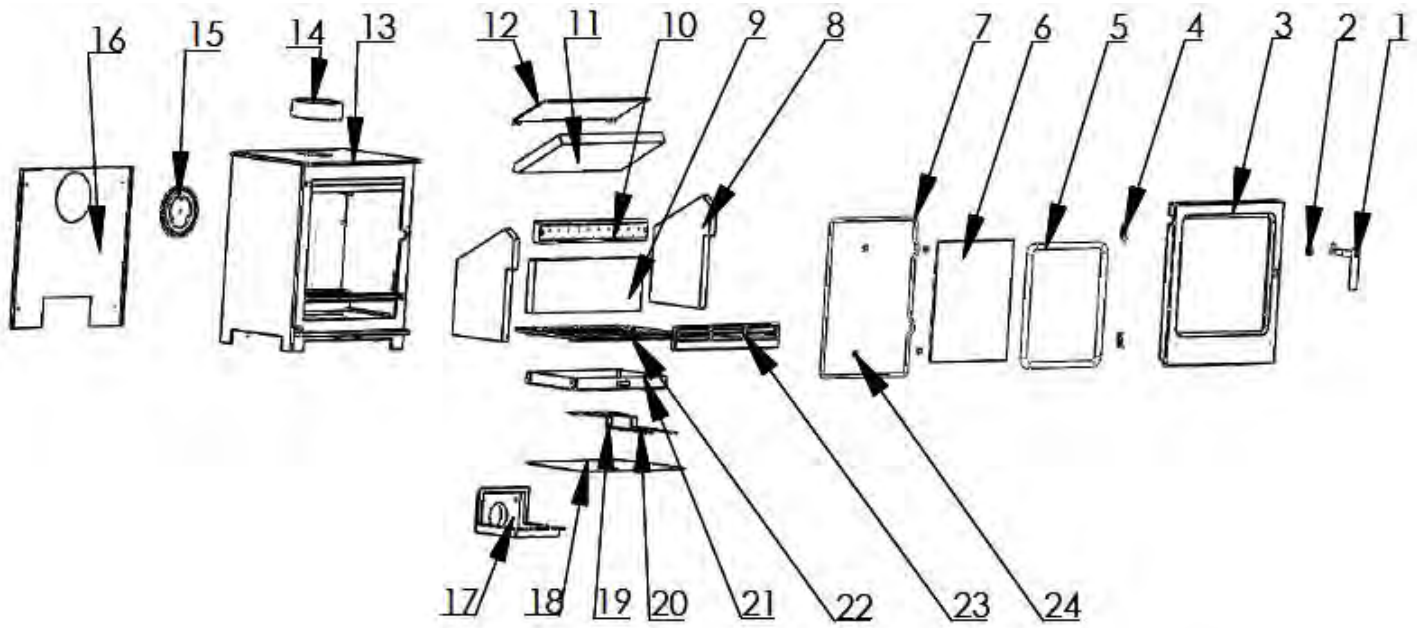
## BARROW EXPLODED VIEW



Part no.	Item Code	Description
1	UBE01010	Handle
2		Handle stop
3	BBE01034	Door
4	UBE01013	Hinge
5	JBE01035	Glass seal rope
6	TBE01036	Glass
7	JBE01037	Door seal rope
8	HBE01038	Side vermiculite board
9	HBE01039	rear vermiculite board
10	FBE01040	Rear air box
11	HBE01041	Baffle B
12	FBE01042	Baffle A
13	FBE01043	body
14	BBE01023	Spigot
15	BBE01024	Blanking plate
16	FBE01044	Rear heat shield
17	FBE01026	External air box
18	FBE01045	Bottom heat shield
19	FBE01046	Primary air control
20	FBE01047	Secondary air control
21	FBE01048	Ashpan
22	QBE01049	Grate
23	BBE01050	Front log retainer
24	FBE01033	Glass clips



## SUIR EXPLODED VIEW



Part no.	Item Code	Description
1	UBE01010	Handle
2		Handle stop
3	BBE01012	Door
4	UBE01013	Hinge
5	JBE01014	Glass seal rope
6	TBE01015	Glass
7	JBE01016	Door seal rope
8	HBE01017	side vermiculite board
9	HBE01018	rear vermiculite board
10	FBE01019	Rear air box
11	HBE01020	Baffle B
12	FBE01021	Baffle A
14	BBE01023	Spigot
15	BBE01024	Blanking plate
16	FBE01025	Rear heat shield
17	FBE01026	External air box
18	FBE01027	Bottom heat shield
19	FBE01028	Primary air control
20	FBE01029	Secondary air control
21	FBE01030	Ashpan
22	QBE01031	Grate
23	BBE01032	Front log retainer
24	FBE01033	Glass clips

## TROUBLE SHOOTING

<b>PROBLEM</b>	<b>POSSIBLE CAUSE</b>	<b>ACTION</b>
<b><i>Fire difficult to start -</i></b>	<b>Unseasoned wood, too damp or poor quality.</b>  <b>Logs too big</b>	Use recommended fuel only.  To light fire use small, very dry twigs. To maintain fire use split logs.
<b><i>Fire Goes Out</i></b>	<b>Air Starvation</b>  <b>Insufficient Draught</b>	Open air controls to allow adequate air.  Check that the flue is not obstructed, sweep if necessary - (seek advice from a chimney specialist).
<b><i>Fire Burns Too Quickly</i></b>	<b>Too much draught</b>  <b>Poor Quality Wood</b>	Ensure that the lower spin wheel is closed and partially close the top air control lever.  Do not continuously burn small wood, sticks, bundles, carpentry off-cuts (plywood / pallets etc)
<b><i>Smokes When Lighting Up</i></b>	<b>Flue duct is cold</b>	Burn paper and kindling to increase heat.
<b><i>Smokes While Burning</i></b>	<b>Draught is insufficient</b>  <b>Down Draught</b>  <b>Room is in decompression</b>	Consult a chimney specialist. Check that the flue is not obstructed, sweep if necessary.  Install an anti-down draught cowl. Consult your dealer.  In houses equipped with Mechanical Ventilation, an outside air intake must be installed for the chimney.
<b><i>Low Heat Output</i></b>	<b>Incorrect Fuels</b>	Use the recommended Fuel



**ENERG**  
енергия · ενέργεια



Bilberry

Eco Nore



**A<sup>+</sup>**



**5,0**  
kW

ENERGIA · ЕНЕРГИЯ · ΕΝΕΡΓΕΙΑ · ENERGIA · ENERGY · ENERGIE · ENERGI

2015/1186



**ENERG**  
енергия · ενεργεια



Bilberry

Eco Barrow



**A<sup>+</sup>**



**5,0**  
kW

ENERGIA · ЕНЕРГИЯ · ΕΝΕΡΓΕΙΑ · ENERGUA · ENERGY · ENERGIE · ENERGI

2015/1186



**ENERG**  
енергия · ενέργεια



Bilberry

Eco Suir



8,1  
kW

ENERGIA · ЕНЕРГИЯ · ΕΝΕΡΓΕΙΑ · ENERGIJA · ENERGY · ENERGIE · ENERGI

2015/1186

---

Waterford Stanley Ltd.,  
Unit 401-403, Waterford Industrial Estate,  
Cork Rd, Waterford, Ireland.

