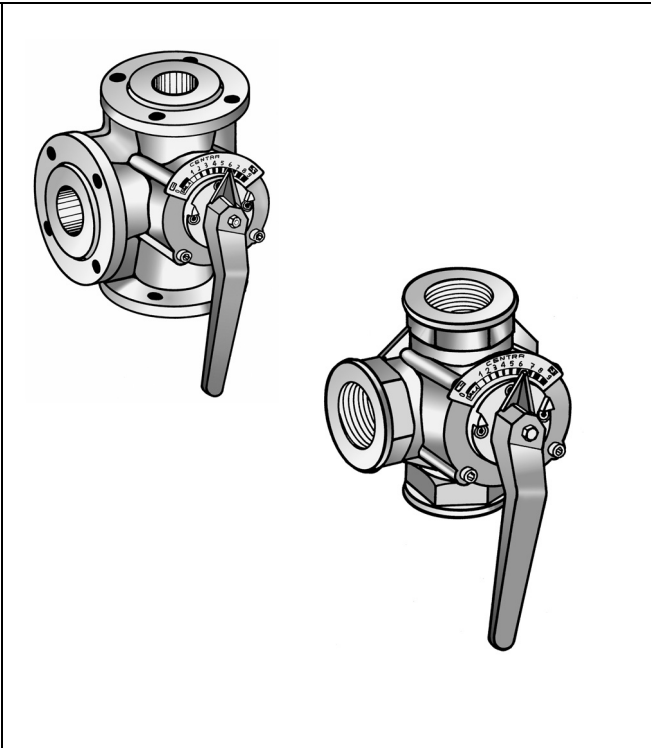


DRxxGMLA / DRxxxGFLA 3-WAY ROTARY VALVES PN 6

PRODUCT DATA



FEATURES

- Chrome-plated plug for long life.
- Optimized characteristic for supply water temperature control
- Protected against corrosion and blocking
- Reliable mounting for electrical actuators
- Clear position indicator
- Wide range of flow rates with suitable actuators

SPECIFICATIONS

Nominal static pressure	6 bar, 600kPa
Maximum pressure drop	depending on type (see section "Specification and Order Number" on page 2)
Leakage rate	1% of k_{vs}
Ports	Internal threads / flange in accordance with <u>DIN</u> EN 1092-2 depending on type (see section "Specification and Order Number" on page 2)
Angle of rotation	90 °
Internal threads	8 windings long
Packing	Double o-ring sealing
Material body	Cast iron
Material inner parts	Chrome-plated cast iron
Medium	Heating water according to VDI 2035 (oxygen concentration less than 0.2 g/m ³ , pH 8...9.5)
Water temperatures in the valve	2 to 130 °C, non-condensing
Weight	depend on type (see sections "Dimensions with DRxxGMLA (mm)" and "Dimensions with DRxxxGFLA (mm)" on page 3)
Flow characteristic	equal percentage

APPLICATION

The DRxxGMLA / DRxxxGFLA rotary valves provide water temperature control in heating and air conditioning applications.

These valves are designed for accurate mixing control of supply water temperature in heating and air conditioning systems.

Its sturdy construction ensures a long and reliable operating life when used in combination with M6061 actuators.

SPECIFICATION AND ORDER NUMBER

DN	kVS [m³/h]	Δp max [kPa]	nominal torque [Nm]	OS no. internal thread	OS no. flange	torque [Nm] for reduced Δp (40 kPa)
15	4,0	100	10	DR15GMLA	–	10
20	6,3	100	10	DR20GMLA	DR20GFLA	10
25	10	100	10	DR25GMLA	DR25GFLA	10
32	16	100	10	DR32GMLA	DR32GFLA	10
40	25	100	20	DR40GMLA	DR40GFLA	10
50	40	100	20	–	DR50GFLA	20
65	63	100	20	–	DR65GFLA	20
80	100	100	30	–	DR80GFLA	20
100	160	100	40	–	DR100GFLA	30
125	250	70	40	–	DR125GFLA	30
150	630	50	40	–	DR150GFLA	40
200	1600	50	40	–	DR200GFLA	40
200	1000	50	40	--	DR200GFLA1	40

SUITABLE ACTUATORS

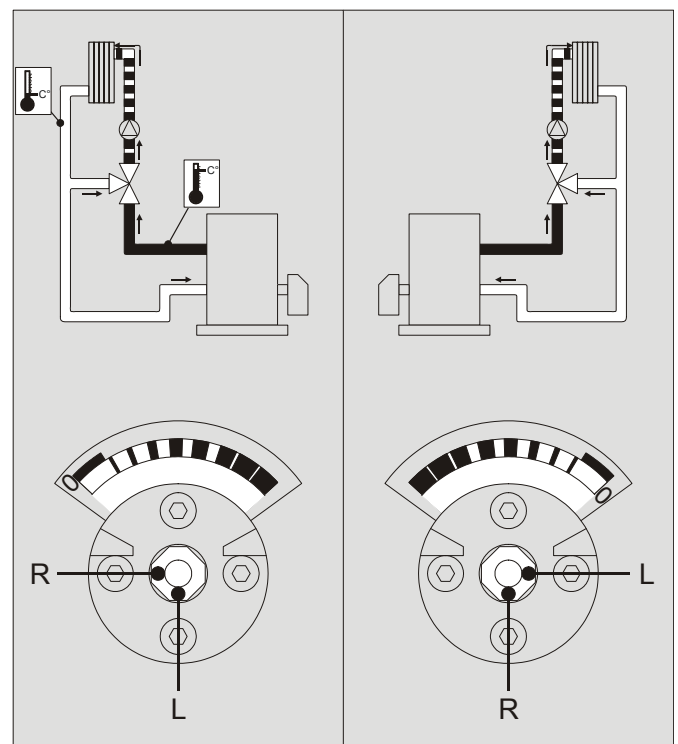
M6061A (24V; floating); M6061L (230V/240V; floating);
M7061E (0/2 to 10V modulating)

torque [Nm]	OS no. 24 Vac floating	OS no. 230 Vac floating	OS no. 0/2...10 V
10	M6061A1013	M6061L1019	M7061E1012
20	M6061A1021	M6061L1027	M7061E1020
30	M6061A1039	M6061L1035	–
40	M6061A1047	M6061L1043	–

OPERATION

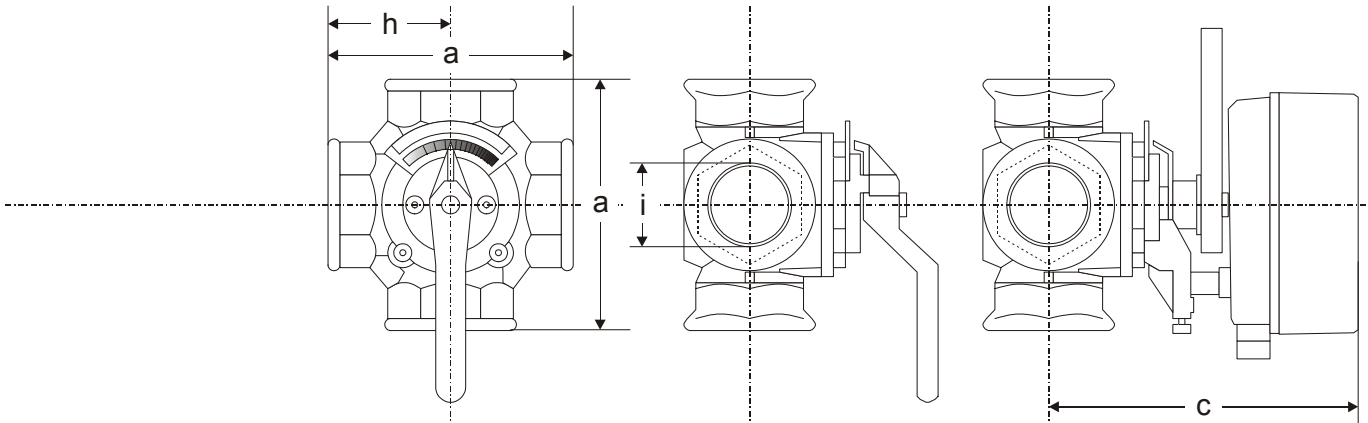
The valve controls a mixing water temperature with a rotating plug. The plug adjusts with two control curves the water flow of two inputs. The required flow water temperature is reached by adding a proportion of return water to the boiler hot water. For optimum control performance, the DR has special control characteristics.

MOUNTING



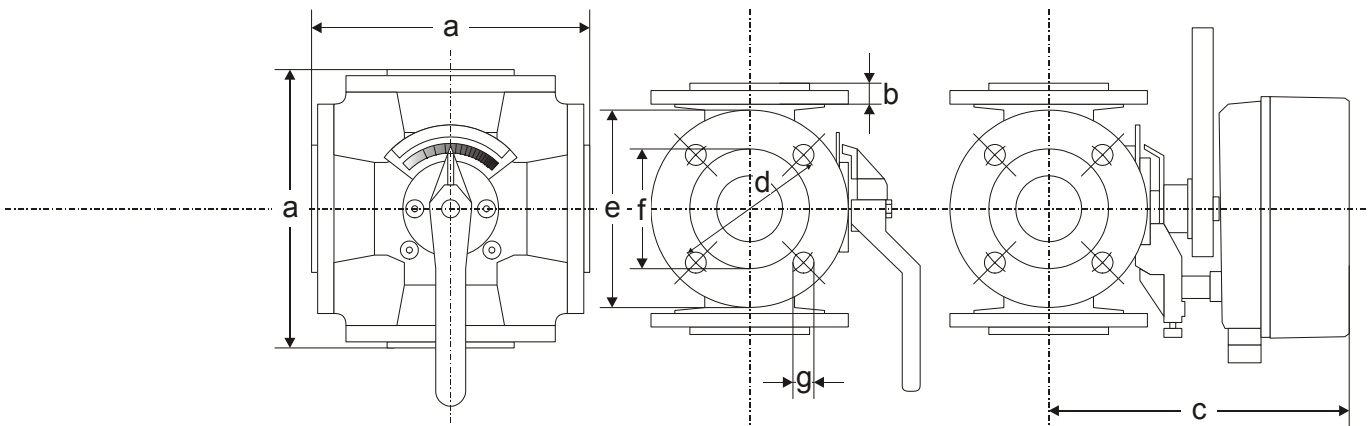
DIMENSIONS WITH DRxxGMLA (MM)

type	DN	a	c	SW	h	i	net weight
DR15GMLA	15	110	179	41	55	R ½ in.	2.2 kg
DR20GMLA	20	110	179	46	55	R ¾ in.	2.3 kg
DR25GMLA	25	115	179	50	58	R 1 in.	2.4 kg
DR32GMLA	32	140	188	60	70	R 1 ¼ in.	4.1 kg
DR40GMLA	40	150	188	65	75	R 1 ½ in.	4.3 kg



DIMENSIONS WITH DRxxxGFLA (MM)

type	DN	a	b	d	e	h	net weight
DR20GFLA	20	140	15	65	90	70	3.5 kg
DR25GFLA	25	150	15	75	100	75	4.0 kg
DR32GFLA	32	160	17	90	120	80	6.6 kg
DR40GFLA	40	170	16	100	130	85	7.1 kg
DR50GFLA	50	190	16	110	140	95	9.8 kg
DR65GFLA	65	210	16	130	160	105	12.3 kg
DR80GFLA	80	250	18	150	190	125	21.4 kg
DR100GFLA	100	270	18	170	210	135	26.5 kg
DR125GFLA	125	310	20	200	240	155	42.0 kg
DR150GFLA	150	330	20	225	265	165	49.0 kg
DR200GFLA/ DR200GFLA1	200	390	22	280	320	195	78.0 kg



Honeywell

Manufactured for and on behalf of the Environmental and Combustion Controls Division of Honeywell Technologies Sàrl, Ecublens, Route du Bois 37, Switzerland by its Authorized Representative:

Automation and Control Solutions

Honeywell GmbH
Böblinger Straße 17
D-71101 Schönaich / Germany
Phone: (49) 7031 637 - 01
Fax: (49) 7031 637 - 493
<http://ecc.emea.honeywell.com>

Subject to change without notice. Printed in Germany
EN0B-0607GE51 R1007