



### Features & Benefits

- Ease of installation
- Many versions available

### Technical Overview

The LS-FL series of float type switches are suitable for multi-level applications where either access is only available from the top surface or where multiple level sensing is desired from a single penetration.

Units consist of a float, which is suspended from a cable. As the liquid level changes, the float follows the surface level, at the same time tilting. Inside the float are micro switch(es) which trigger as the float tips.

### Product Codes

<b>LS-FL-1H</b>	High level alarm float switch
<b>LS-FL-1L</b>	Low level alarm float switch
<b>LS-FL-2H</b>	Emptying pump control float switch
<b>LS-FL-2L</b>	Filling pump control float switch
<b>LS-FL-2LH</b>	High & low level alarm float switch

### Specification

Switch rating	6A @ 6 - 250Vac
Std. cable length	5m
Std. switching level diff.	250mm
Max. std. switching level diff.	1200mm
Materials:	
Float	Polypropen
Std. cable	PVC
Min fluid sp. gravity	0.7
Pressure rating	200Kpa max.
Ambient temperature	0 to +55°C
Country of origin	Finland

#### WEEE Directive:



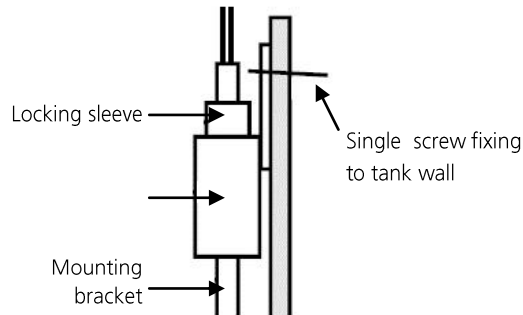
At the end of the products useful life please dispose as per the local regulations.  
Do not dispose of with normal household waste.  
Do not burn.



The products referred to in this data sheet meet the requirements of EU Directive 2014/35/EU

## Installation

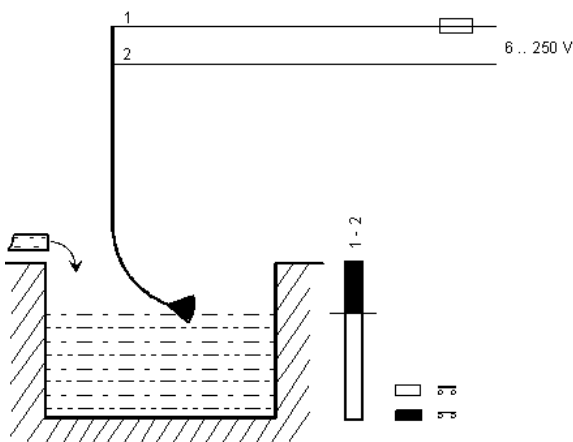
1. The LS-FL should only be installed by a competent, suitably trained technician, experienced in installation with hazardous voltages. (>50Vac & <1000Vac or >75Vdc & 1500Vdc)
2. Ensure that all power is disconnected before carrying out any work on the LS-FL.
3. The LS-FL-1L & LS-FL-1H are supplied with a two part mounting bracket so that the cable can be secured to the side of the tank at the top edge. This consists of a plastic tube with a single hole fixing bracket with a tubular plastic insert which slips inside 'lock' the cable in position once the desired mounting position has been finalised. Hang the float so that the lower face of the float is 12.5cms below the desired switching point. Note that no weight is required. The final adjustments may be needed under actual pumping conditions.



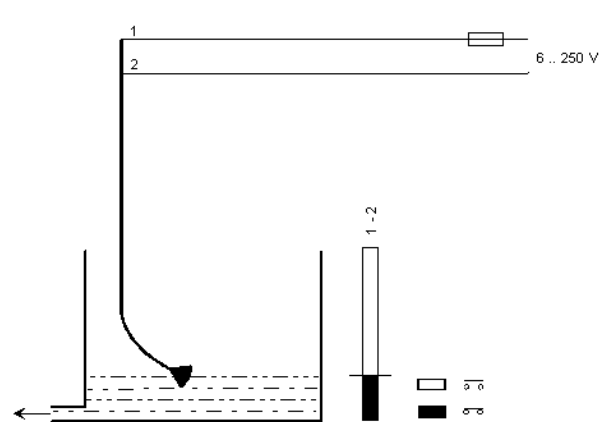
4. The remainder of the LS-FL range, are supplied with a weight. The switching height differential is adjusted by moving the weight along the cable. The differential is on minimum, when the weight is nearest to the float.

## Connections

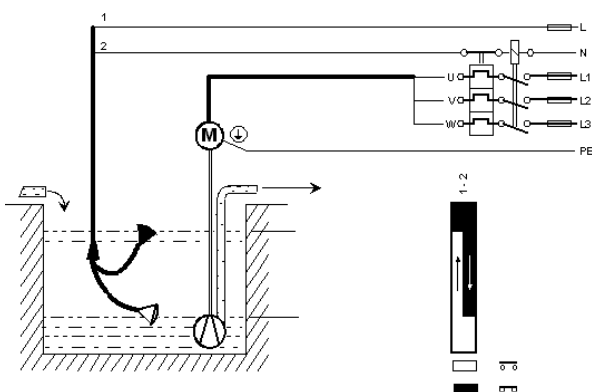
LS-FL-1H:



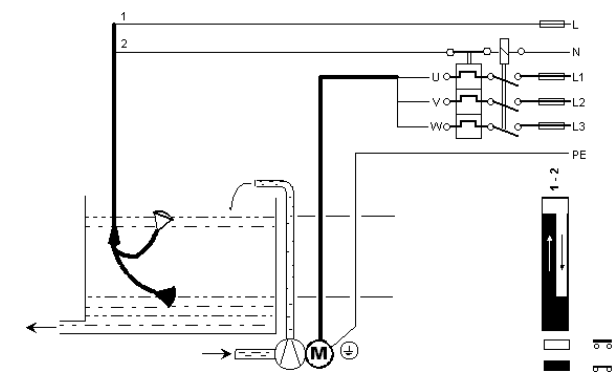
LS-FL-1L:



LS-FL-2H:

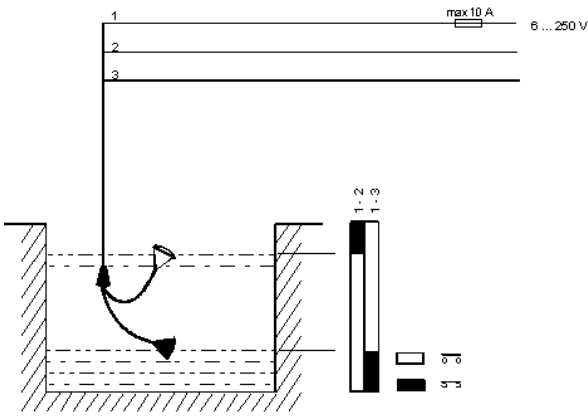


LS-FL-2L:

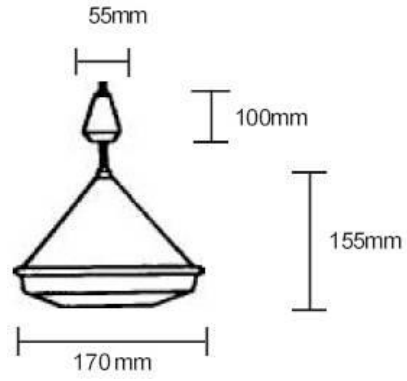


**Connections (continued)**

LS-FL-2LH:



**Dimensions**



Whilst every effort has been made to ensure the accuracy of this specification, Sontay cannot accept responsibility for damage, injury, loss or expense from errors or omissions. In the interest of technical improvement, this specification may be altered without notice.

Tel: +44 (0)1732 861200 - E-mail: sales@sontay.com - Web: www.sontay.com

© 2017 Sontay Limited. All rights reserved