



Features & Benefits

- Low cost solution
- Easy to install
- Reliable switching

Technical Overview

The LS-S range of side mounting level switches designed for high or low liquid level detection in tanks and vessels. Units consist of a lever arm reed switch assembly and a tank fixing boss.

- Type 1 switches fit from the inside of the tank and tighten onto a back nut on the outside face.
- Type 2 switches mount from the outside into a boss and access to inside face is not required.

Units project into the tank by a maximum of 100mm.

Product Codes

LS-SN-1	Polypropylene float switch M16, internal fixing
LS-SN-2	Polypropylene float switch ½" NPT, external fixing
LS-SS-1	Stainless steel float switch M8, internal fixing
LS-SS-2	Stainless steel float switch ½" PF, external fixing

Specification

Contact rating	50VA ac/dc
Contact resistance	200mW
Dielectric strength	600Vdc
Max. switching voltage	350Vdc / 300Vac
Max. switching current:	
LS-SN-1 & SN-2	0.5A ac/dc
LS-SS-1 & SS-1	1.0A ac/dc
Insulation resistance	10 MW
Max. temp:	
LS-SN1 & SN2	80°C
LS-SS1 & SS2	120°C
Max. pressure:	
LS-SN-1 & SN-2	1.9bar
LS-SS-1 & SS-2	4.9bar
Installation category	IEC 664 Category II
Pollution degree	IEC 664 Degree 1
Shock resistance	20G
Specific gravity of float	0.7
Flying lead length	50 cm approx.
Country of origin	China

WEEE Directive:



At the end of the products useful life please dispose as per the local regulations. Do not dispose of with normal household waste. Do not burn.

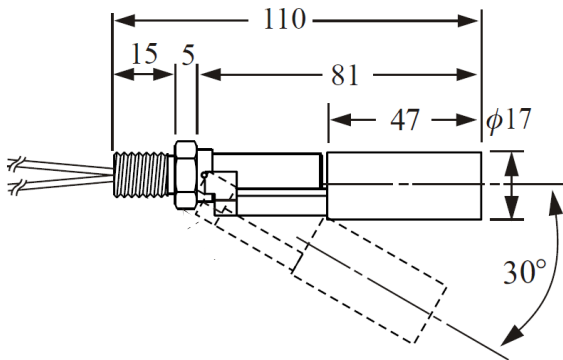


The products referred to in this data sheet meet the requirements of 2014/35/EU

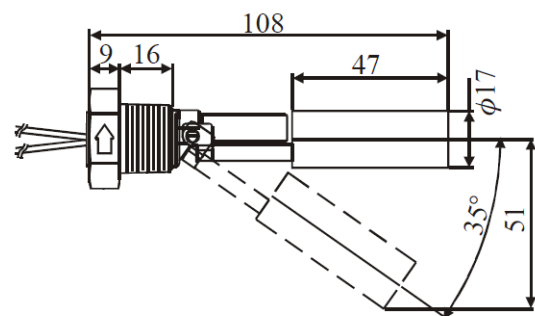
Installation

- The switch should be installed by suitably qualified personnel only. Electrical termination should be carried out by a suitably qualified electrician in accordance with prevailing regulations.
- Internal mounting switches must be passed through a 8mm (LS-SS-1) or 16mm (LS-SN-1) hole in the side of the vessel and secured on the outside using the nut provided. Care should be taken not to over tighten the nut particularly in the case of nylon variants.
- External mounting switches are fixed into a suitable boss using a suitable sealing compound if necessary.
- In all cases, it will be necessary to ensure that the switch is mounted in the correct orientation for the required application.

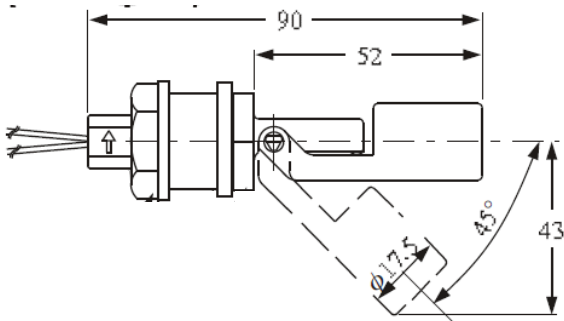
LS-SS-1:



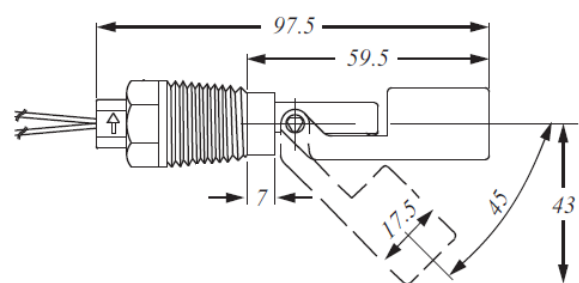
LS-SS-2:



LS-SN-1:



LS-SN-2:



Whilst every effort has been made to ensure the accuracy of this specification, Sontay cannot accept responsibility for damage, injury, loss or expense from errors or omissions. In the interest of technical improvement, this specification may be altered without notice.

Tel: +44 (0)1732 861200 - E-mail: sales@sontay.com - Web: www.sontay.com

© 2017 Sontay Limited. All rights reserved