



CENTRA V5433A

3-way rotary valve PN6

APPLICATION

The V5433A 3-way rotary valve was designed especially for accurate control of supply water temperature in heating and air conditioning systems. When used in combination with the M6063 actuator, its sturdy construction ensures a long and reliable operating life.

SPECIAL FEATURES


- Chrome-plated plug for long life
- Optimized characteristic for supply water temperature control
- Reliable mounting for electrical actuators
- Wide range of flow rates
- Compact design



TECHNICAL DATA

Media	
Medium:	Heating water according to VDI 2035 (oxygen concentration < 0.2 g/m ³ , pH 8...9.5)
Pressure values	
Nominal static pressure:	600 kPa (6 bar)
Max. pressure drop:	dependent on type
Operating temperatures	
Water temperature:	2 to 110 °C, non-condensing
Specifications	
Leakage rate:	< 1% of Kvs
Ports:	Internal threads
Angle of rotation:	90°
Packaging:	Double O-ring sealing
Flow characteristic:	equal percentage

CONSTRUCTION

Overview	Components	Materials
	1 Housing	Cast iron
	Not depicted components:	
	Inner parts	Chrome-plated cast iron

METHOD OF OPERATION

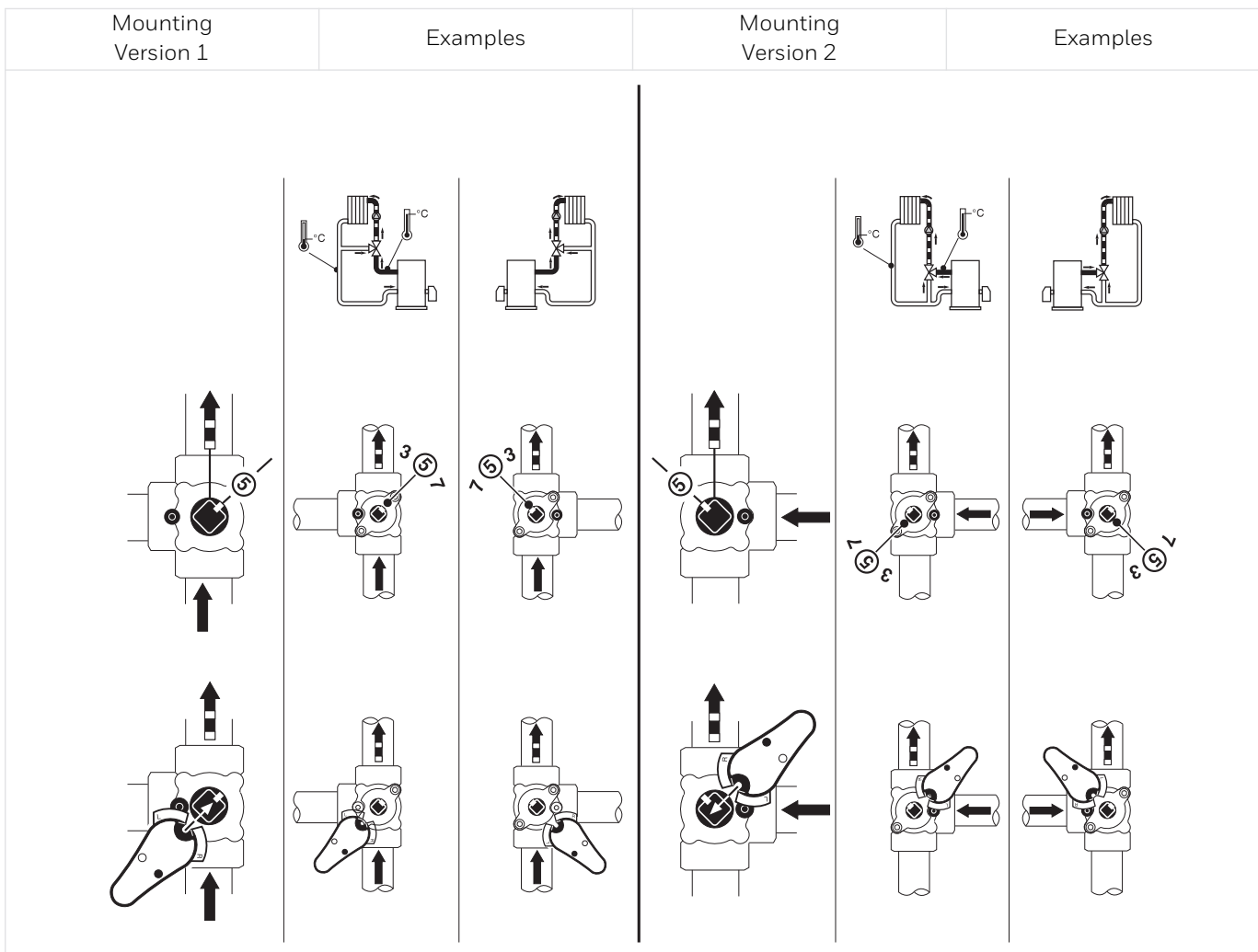
The valve controls a mixing water temperature with a rotating plug. The plug adjusts with two control curves the water flow of two inputs. The required flow water temperature is reached by adding a proportion of return water to the boiler hot water. For optimum control performance, the V5433A has special control characteristics.

Suitable Actuators

- M6063L1009 (230/240 Vac, floating)
- M6063L4003 (230/240 Vac, floating) auxiliary switch
- M6063A1003 (24 Vac, floating)
- M6063A4007 (24 Vac, floating) auxiliary switch

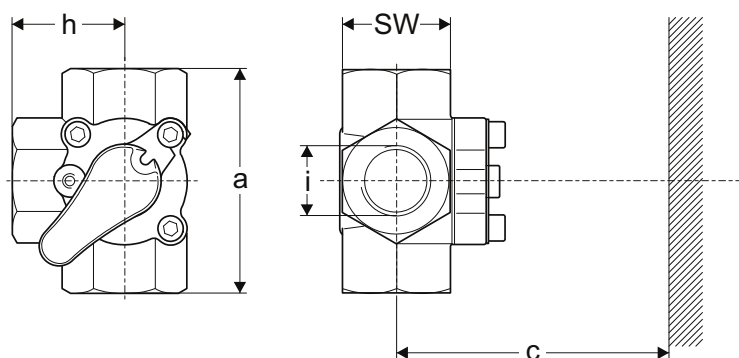
TECHNICAL CHARACTERISTICS

Installation Example



DIMENSIONS

Overview



Order number	DN	a (mm)	c (mm)	SW (mm)	h (mm)	i (inch)	Weight
V5433A1015	20	85	340	41	42.5	R ³ / ₄	0.9 kg
V5433A1023	20	85	340	41	42.5	R ³ / ₄	0.9 kg
V5433A1031	20	85	340	41	42.5	R ³ / ₄	0.9 kg
V5433A1049	25	105	345	46	52.5	R 1	1.4 kg
V5433A1056	32	105	350	55	52.5	R 1 1/ ₄	1.9 kg
V5433A1064	40	120	355	65	60.0	R 1 1/ ₂	3.3 kg
V5433A1072	50	156	365	80	78.0	R 2	6.1 kg

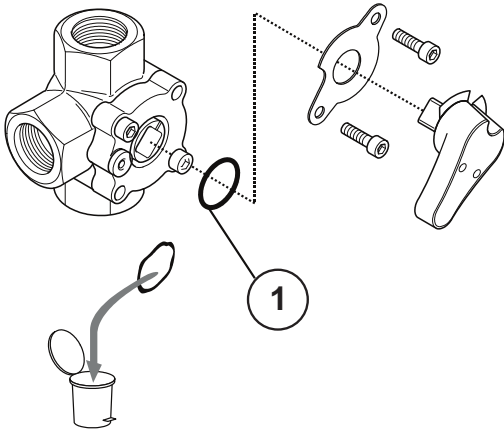
ORDERING INFORMATION

The following tables contain all the information you need to make an order of an item of your choice. When ordering, please always state the type, the ordering or the part number.

Options

Order number	DN	k _{vs} -value (m ³ /h)	Δp (kPa)
Internal thread			
V5433A1015	20	2.5	100
V5433A1023	20	4.0	100
V5433A1031	20	6.3	100
V5433A10349	25	10.0	100
V5433A10356	32	16.0	100
V5433A10364	40	25.0	100
V5433A10372	50	40.0	100

Spare Parts

Overview	Description	Dimension	Part No.
	1 O-ring set		
		DN20 - DN32	071161036
		DN40 - DN50	071161037