

NOTICE

The installation/assembly must be carried out by a competent engineer, following these instructions and in compliance with the applicable regulations.

WARNING

Mains supplies - Isolate the appliance

- ▶ Turn off the gas supply and isolate the mains electrical supply before starting any work and observe all relevant safety precautions.
- ▶ Drain the appliance/system where necessary and protect any electrical equipment from water ingress during component replacement.

Electrical considerations

If the electrical installation supplying the appliance uses a Residual Current Device (RCD) as additional protection, this RCD must trip when earth fault currents with DC content (pulsating DC) occur, in accordance with the latest edition of the IET Wiring Regulations. This type of RCD can be identified by the symbols in figure 1 as either Type A or Type B.

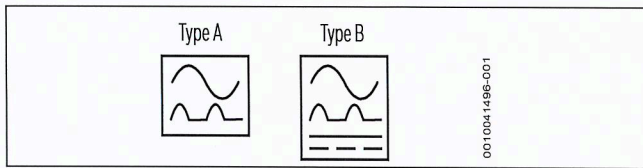


Fig. 1 RCD Types

Replacement pump differences

Due to new EU Regulations all spare pumps supplied after 2022 must be of the Low Energy consumption type.

All replacement Pumps have a different appearance and require an electrical plug connection.

All Pump Kits contain either an Adapter Cable or replacement Harness for the appliance.

The figure below identifies the new pump (part no. 8718658104) compared to the old pump (8716106355)

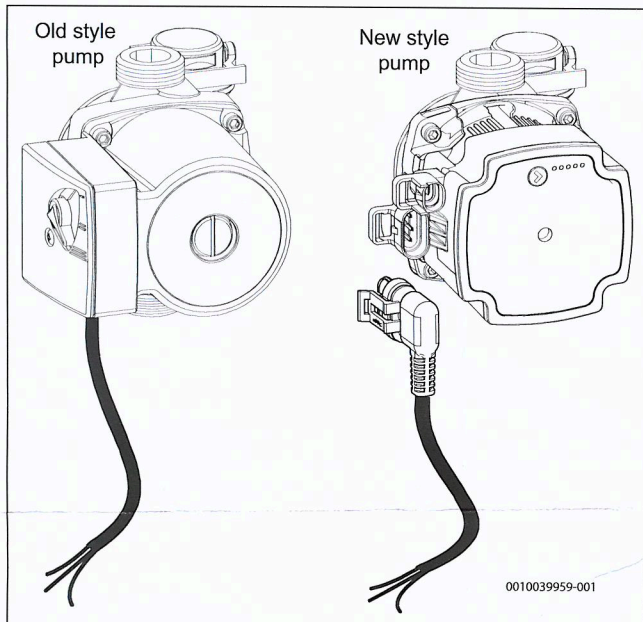


Fig. 2 Old style pump versus new style

Replacement drain valve (Greenstar i appliances only)

The replacement drain valve (part no. 8716771432) is required because the operation of the old style drain valve will be obstructed by the body of the new pump.

To change the drain valve:

- ▶ Twist the valve anti-clockwise
- ▶ Release the two retaining arms
- ▶ Pull the valve out
- ▶ Insert the new valve and push down to engage the retaining arms
- ▶ Twist clockwise to close the valve

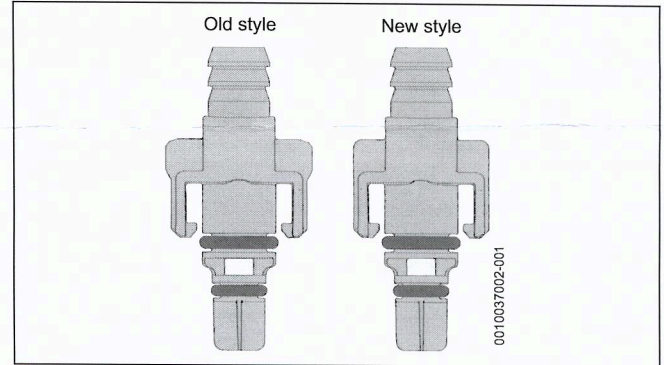


Fig. 3 Old style drain valves versus new style

New pump control

NOTICE

Combi boilers only

The pump output must be set to maximum

- ▶ Ensure that three light are displayed on the pump = High output

The output of the pump is factory set to high output (maximum) and can be adjusted by the push-button on the front of the pump:

- ▶ Press the arrowed button to select the required speed profile
 - one light = Low output
 - two lights = Medium output
 - three lights = High output

Warning lights (Alarm status):

- ▶ the red and amber lights indicate a fault condition
- ▶ the amber lights indicate the type of pump fault, refer to figure 4:
 - the red and fifth amber light = pump blocked
 - the red and fourth amber light = supply voltage low
 - the red and third amber light = electrical error

[en] Important notes on installation/assembly

The installation/assembly must be carried out by a qualified contractor, following these instructions and in compliance with the applicable regulations. Non-compliance with specifications can result in material damage and/or personal injury or fatality.

- ▶ Check that the contents of the delivery are undamaged. Only fit undamaged parts.
- ▶ Follow the applicable instructions for the other system components, accessories and spare parts.
- ▶ Before starting any work: disconnect the system from the power supply across all phases.
- ▶ Install all parts described for the device concerned.
- ▶ Do not reuse any parts that have already been fitted and replaced.
- ▶ Perform the required adjustments, functional tests and safety tests.
- ▶ Test any joints that carry gas, flue gas, water or oil for leaks.
- ▶ Document any alterations made.

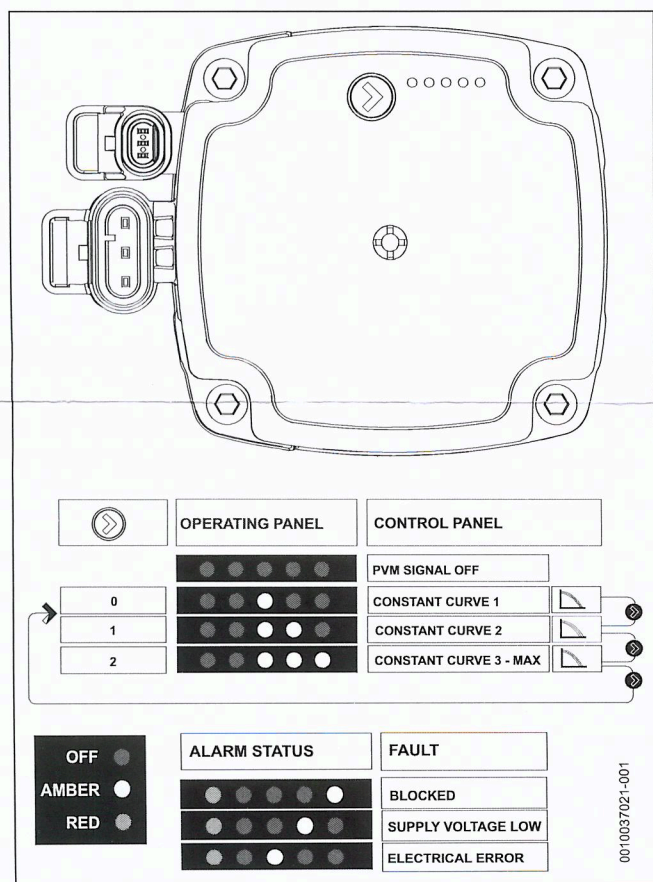


Fig. 4



Bosch Thermotechnology Ltd.
Cotswold Way, Warndon
Worcester WR4 9SW, United Kingdom
worcester-bosch.co.uk